

4.0 Inch Six-Digit LED Digital
Network NTP, POE, Time of Day
Clock with Flush Mount 316L Stainless
Gasketed Faceplate Enclosure

DC-406N-POE-FLUSH-STAINLESS



Features

- Web browser-based interface
- User selectable DHCP or Static IP (default DHCP)
- User selectable time zones & time format
- Acquires atomic NTP from any server
- Automatically displays it's IP address on power up
- NEMA4,4x,12,13, IP-66, 316L stainless enclosure
- .125" closed cell foam XLPE gasket (standard)
- Large 4.0-inch super bright bar LED's
- Visible up to 200 ft. away
- Power via Power Over Ethernet
- 1.56 inches deep
- Made in the USA

Options

- Can be grouped; [DC-Webserver-Clocks-1](#)
- Rough in back box for mounting [DC-406-BB](#)
- Surface mount stainless 316L enclosure
- All aluminum flush mount enclosure
- PE, Food Grade PE, EPDM, PTFE gaskets
- 12VDC, 24VDC, 120VAC power available
- Green LEDs
- Customizable [contact us](#)

Specifications

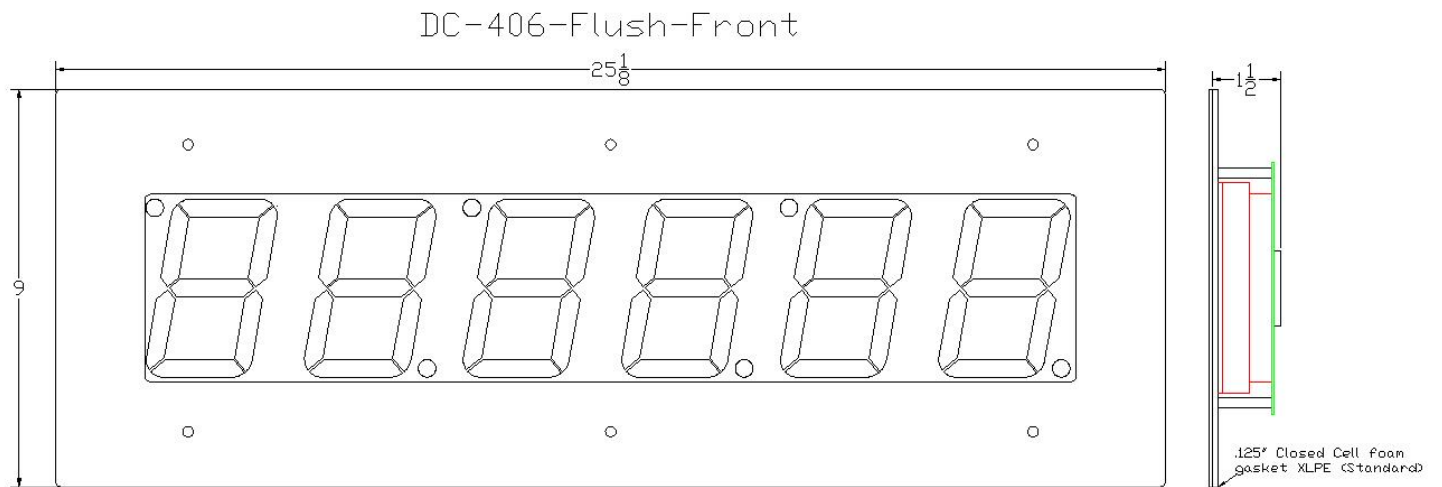
- **Input** POE (Power Over Ethernet), NTP via user selectable server
- **Display** 4.0 Inch, six digit, seven segment bar, red LED super bright, field replaceable Display, HH:MM:SS format
- **Case** 16 Ga. 316L Stainless, 25.125" W x 9" H x 1.56" D
- **Gasket:** .125" black closed cell XLPE foam gasket (other gasketing material available)
- **Lens** .125 Inch thick 2423 Red acrylic
- **Weight** Approximately 5.0 Pounds
- **Power Source** POE (802.3AF Compliant) 250mA, 4 Watts
- **Operating Temp** 0° to 49° Celsius (32° to 120° Fahrenheit)
- **Case Finish** 2B Sanded (Standard)
- **Connections** RJ-45 Cat 5-6 connection into splitter (CE, Fcc compliant)

DC-406N-POE-FLUSH-STAINLESS Description

The DC-Digital DC-406N-POE-FLUSH-STAINLESS time of day clock is designed to be used in any application where any 6-digit, LED Network NTP Atomic time of day clock needs to be seen. It automatically queries NTP once every minute and on power up. It can be set up for 12- or 24-hour time format (default is 12 hour). It can be set up for static IP or DHCP (default is DHCP) and to receive the NTP from your server (default is NIST). This unique design can be used in either existing buildings or new construction. This time-of-day clock can be mounted flush directly or with a rough in back box. This equipment is proudly made in the USA. This display is factory serviceable.

DC-Digital [DC-406N-POE-FLUSH-STAINLESS](#) Mounting and Dimensions

There are (6) .240-inch diameter mounting holes



Optional [DC-406-BB](#) Backbox

