

4.0 Inch Four-Digit Network NTP, POE,
Time of Day Clock and 2.3 Inch Seven-
Digit Alphanumeric Date with Surface
Mount 316L Stainless Gasketed Enclosure

[DC-25ALN-Date-40-Time-POE-STAINLESS](#)

DC-Digital
tm



Features

- Web page browser-based interface & monitoring
- User selectable DHCP or Static IP (default DHCP)
- User selectable time zone & time format
- Acquires atomic NTP time & date from any server
- Time & date also shown on web page interface
- NEMA 4, 4X, 12, 13, IP-66, 316L, stainless enclosure
- .250" Closed cell foam XLPE gasket (standard)
- 2.3 Inch alpha-numeric date & 4.0-inch time LED's
- Time is visible up to 200 Ft, Date 120 Ft.
- Sealed cable gland for Ethernet connection
- Factory serviceable modular design
- Made in the USA

Options

- Can be grouped; [DC-Webserver-Clocks-1](#)
- PE, Food Grade PE, EPDM, PTFE gaskets
- 2.3-inch LED time of day clock
- Flush mount 316L stainless
- Aluminum flush or surface mount enclosure
- Network, non-POE (local power)
- POE injector
- Wireless data synchronized system

Specifications

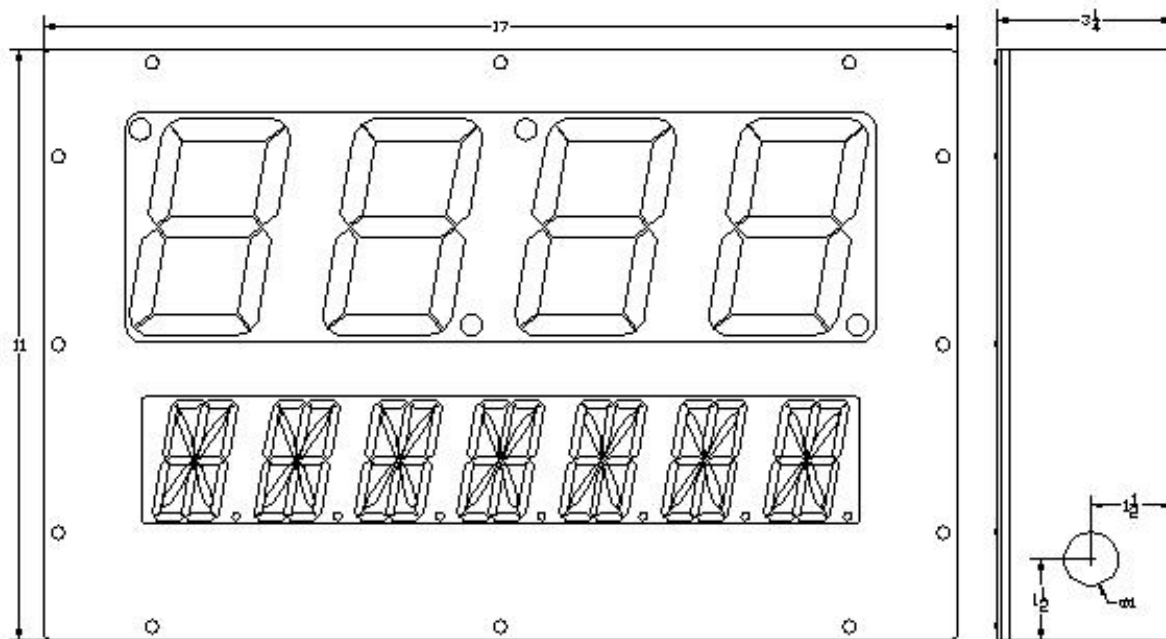
- **Input** POE (Power Over Ethernet), Data DHCP or Static IP NTP selectable
- **Display** 4.0 Inch four-digit LED clock, 2.5 Inch digit red LED alpha-numeric display date
- **Case** Stainless SAE 316L, 17" W x 11" H x 3.25" D, .25" XLPE closed cell gasket
- **Weight** 15.0 Pounds
- **Power Source** POE (802.3 AF Compliant) 500 mA, 6 Watts
- **Operating Temp** 0° to 49° Celsius (32° to 120° Fahrenheit)
- **Case Finish** Brushed 316L Stainless 2B finish
- **Cabling** Cables gland rt. side, RJ-45 Cat 5-6 connection into splitter (CE, Fcc compliant)

[DC-25ALN-Date-40-Time-POE-STAINLESS](#) Description

The DC-Digital [DC-25ALN-Date-40-Time-POE-STAINLESS](#) Atomic, network, date & time of day clock is designed to be used in any application where a 2.3 Inch 7 digit date and a large 4.0 inch LED time of day clock with IP-66 rated, gasketed, 316L surface mount enclosure (intended for regular disinfection and cleaning) is needed to be seen. It automatically queries NTP once every 1 minute (user selectable) and on power up. It can be set up for 12- or 24-hour time format (default is 12 Hour). It can be set up for static IP (default DHCP) to receive the NTP from your server (default is NIST). This unique design can be used in either existing buildings or new construction. The [DC-25ALN-Date-40-Time-POE-STAINLESS](#) date & time of day clock comes with all stainless surface mount enclosure with a gasket and polycarbonate lens, and 3 mounting points. This equipment is proudly made in the USA. This display is factory serviceable.

DC-Digital [DC-25ALN-Date-40-Time-POE-STAINLESS](#) wall mounting and dimensions

There are (2) gasketed .250" x 375" keyhole mounts on the rear of the enclosure and (1) alignment mounting point.



Right side view
Shown with front plate
and gasket installed

