

4.0 inch Four-Digit Network NTP, POE Time of Day Clock

[DC-40N-POE-Flush-Stainless](#)

DC-Digital
tm



Features

- User selectable DHCP or Static IP (default DHCP)
- User selectable time zone & time format
- Web browser based interface
- NEMA 4, 4X, 12, 13, IP66 Ratings, Stainless Enclosure
- Made in the USA
- .125" Closed cell foam gasket
- Time correction via NTP
- Large 4.0 Inch Super Bright Bar LED's
- 802.3af Power of Ethernet
- Visible up to 200Ft.
- Factory serviceable modular design
- Surface mountable

Options

- POE injector
- NEMA 4X Polycarbonate case
- Double face hall mount (Aluminum enclosure)
- Aluminum flush or surface mount
- Network, Non-POE (local power)
- Static Display, Timer, Temperature available
- Surface mount stainless
- Rough in back box

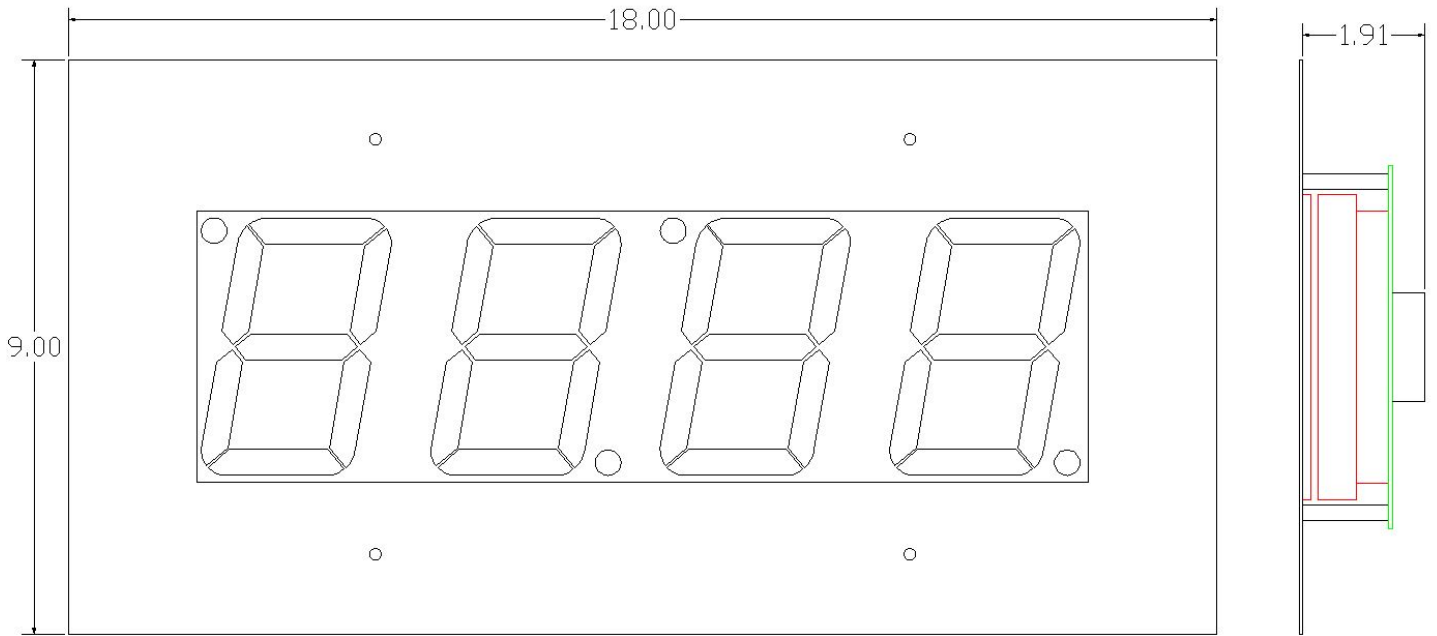
Specifications

- **Input** POE (Power Over Ethernet), Data DHCP or Static IP NTP
- **Display** 4.0 Inch, four digit, seven segment, Red LED display
- **Case** Stainless SAE 316L : 18"W x 9"H x .06"D, .125" Gasket
- **Weight** 4.0 Pounds
- **Power Source** POE (user supplied) 500 mA, 6 Watts, 12Vdc after splitter
- **Operating Temp** 0° to 49° Celsius (32° to 120° Fahrenheit)
- **Case Finish** Brushed stainless
- **Cabling** Ethernet

[DC-40N-POE-Flush-Stainless](#) Description

The DC-Digital [DC-40N-POE-Flush-Stainless](#) time of day clock is designed to be used in any application where any 4 digit time of day clock IP66 rated enclosure is needed to be seen. It automatically queries NTP once every 10 seconds and on power up. It can be set up for 12 or 24 hour time format (default is 12 Hour). It can be set up for static IP to receive the NTP from your server (default is DHCP). This unique design can be used in either existing buildings or new construction. The [DC-40N-POE-Flush-Stainless](#) time of day clock comes with all stainless surface mount enclosure with a gasket and polycarbonate lens, and mounting tabs. This equipment is proudly made in the USA. This display is factory serviceable.

DC-Digital [DC-40N-POE-Flush-Stainless](#) Mounting and Dimensions



- Back box is optional

