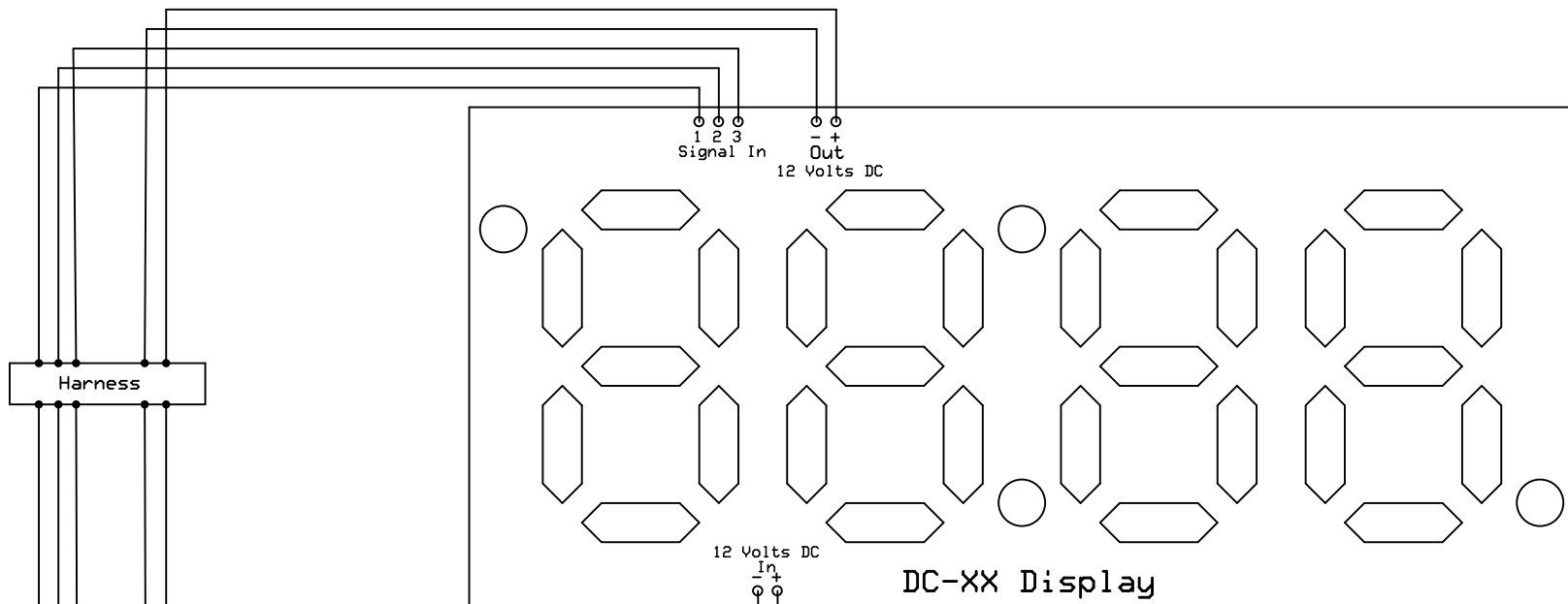
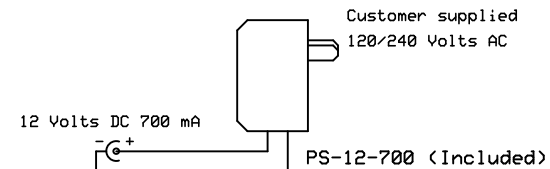


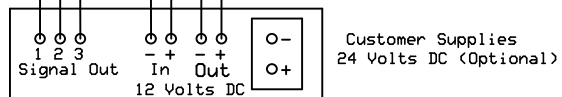
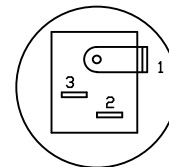
Remove signal input capacitor on DC-XX.



Yellow = Signal Out 1
Blue = Signal Out 2
Brown = Signal Out 3



Power supply input connector viewed from the terminal side

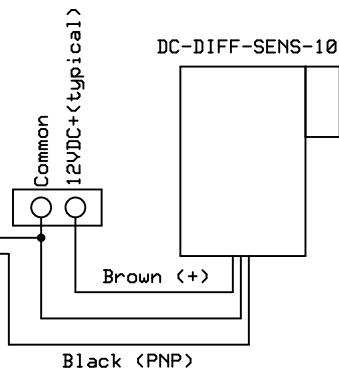


Customer supplies
PNP (5-30 Volts) or
Contact Closure

DC-OPTO-1

Input 3
Input 2
Input 1
Blue (common)
Black (PNP)

Typical Sensor Connections



Ind Ele Svc / DC-Digital
DC-Opto-1

MM/JC/BM

Rev 1.0
3/13/2017

1 of 2